

8

7

6

5

4

3

2

1

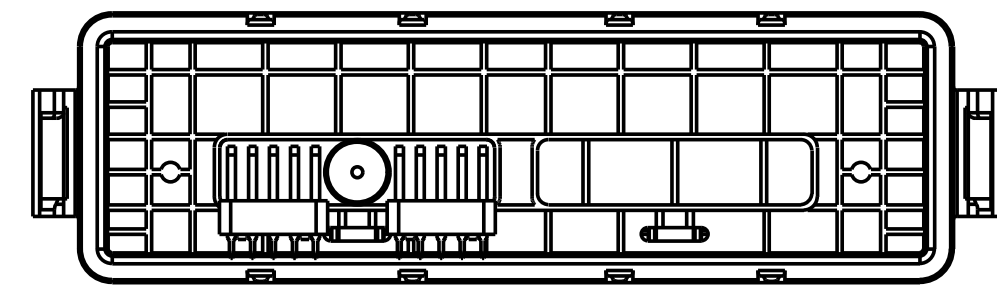
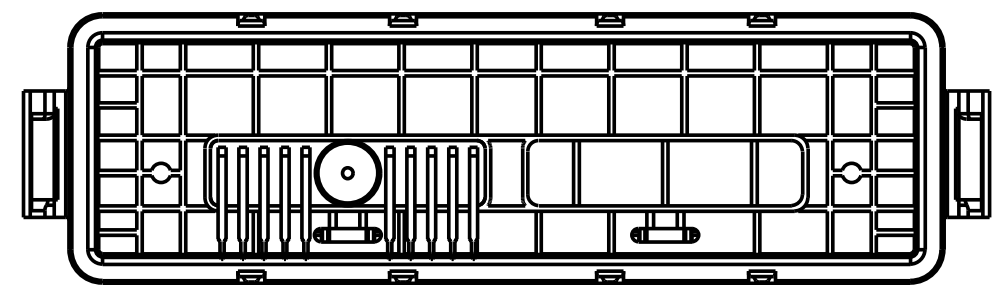
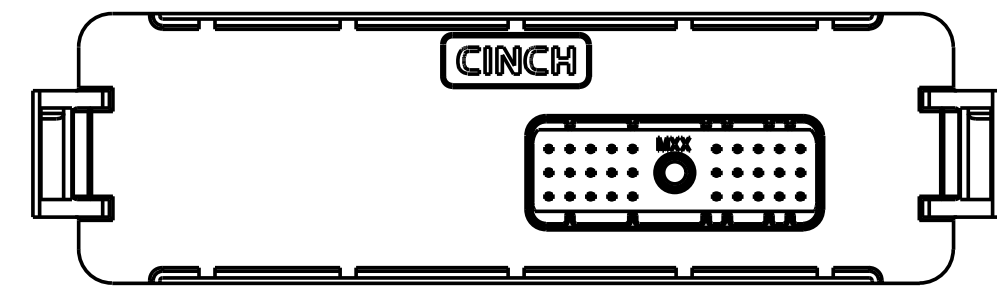
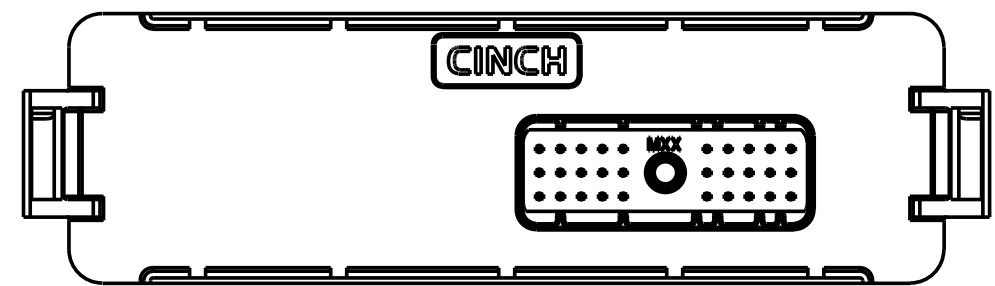
CINCH PART NUMBER MATRIX

P/N: 581 01 30 045

P/N: 581 01 30 051

30-WAY HEADER ASSEMBLY WITH OUT FERRITE FILTERS

30-WAY HEADER ASSEMBLY WITH FERRITE FILTERS



MATES WITH CINCH HARNESS CONNECTORS P/N:
581 01 30 029 (30-WAY)

DRAWING REVISIONS			
REV	DOCUMENT	APP	DATE
A	D.O. 05-1217 REL. FOR PRODUCTION	A.C.	9/9/05
B	ECN: 06A069 ADDED SHEET 5 ADDED SHEET 6 MODIFIED SHEET 3 MODIFIED SHEET 4	A.C.	3/24/06
C	ECN: 06A479 REFORMATTED DRAWING PCB LAYOUTS REDRAWN WITH ADDITIONAL KEEP OUT AREAS	A.C.	1/22/07

NOTE:

- ALL DIMENSIONS ARE IN INCHES;
DIMENSIONS INSIDE [.XX] ARE IN mm, AS REF. ONLY.
- MATERIALS:
INTERFACE SEAL: SILICONE RUBBER, COLOR BLUE;
INSULATOR: 30 % GLASS FILLED POLYMER, COLOR BLACK;
BUSHING: BRASS ALLOY, UNPLATED 10-24 UNC THREAD;
TERMINAL BLADE: 1.5 mm BRASS WITH TIN OVER NICKEL PLATING;
FILTERS: FERRITE BLOCKS.
- ALL HEADERS ARE REFLOW OR WAVE SOLDERING PROCESS, ROHS COMPLIANT.
- MATES WITH CINCH SHS PUSH-TO-SEAT HARNESS CONNECTORS (SEE TABLE ABOVE).
- THERMALLY CONDUCTIVE ADHESIVE PASTE SOLD SEPARATELY: RECOMMENDED IS LOCTITE 383.
- MOSFET SPRING PLATES ARE SOLD SEPARATELY (FOR INSTALLATION REFER TO ENCLOSURE ASSEMBLY INSTRUCTIONS)
SPRING LABELED AS "L" IS CINCH P/N: 581 00 00 020 AND SPRING LABELED AS "R" IS CINCH P/N: 581 00 00 021.
(IT IS RECOMMENDED THAT THE 4 SLOTS BE PROTECTED DURING CONFORMAL COATING)
- STANDARD PACKAGE SIZE: 36 PARTS/CARTON BOX.

RoHS COMPLIANT

UNITS	ENGLISH	PRO/E	MODELED BY:
DO NOT SCALE DRAWING	DRAWN BY B. KOSTIC	DATE 9/02/05	TITLE 30-WAY HEADERS LE MODICE
UNLESS OTHERWISE SPECIFIED: ALL DIMENSIONS ARE IN INCHES	DESIGN ENGINEER B. KOSTIC	9/02/05	MATERIAL CONTROL SPEC NUMBER
FILLET/RADII .02 MAX	DESIGN ENGINEERING MGR. A. CAINES	9/5/05	MATERIAL SPEC NUMBER FINISH PROJECT NUMBER A 14562
TOLERANCES AND LIMITS APPLY OVER ADDITIVE FINISH	MFG. ENGINEERING R. GARZA	9/15/05	CAD FILE NUMBER 5810130045
THIS DOCUMENT IS THE PROPERTY OF CINCH. NEITHER THIS DOCUMENT NOR ANY OF THE INFORMATION CONTAINED IN IT MAY BE DUPLICATED OR DISCLOSED WITHOUT PRIOR WRITTEN CONSENT OF CINCH.	QUALITY ASSURANCE D. DE LA PENA	9/15/05	DRAWING NUMBER 581 01 30 045S
		CAGE IDENT NO. 71785	SCALE 7:10
		SIZE B	SHEET 1 OF 6

8

7

6

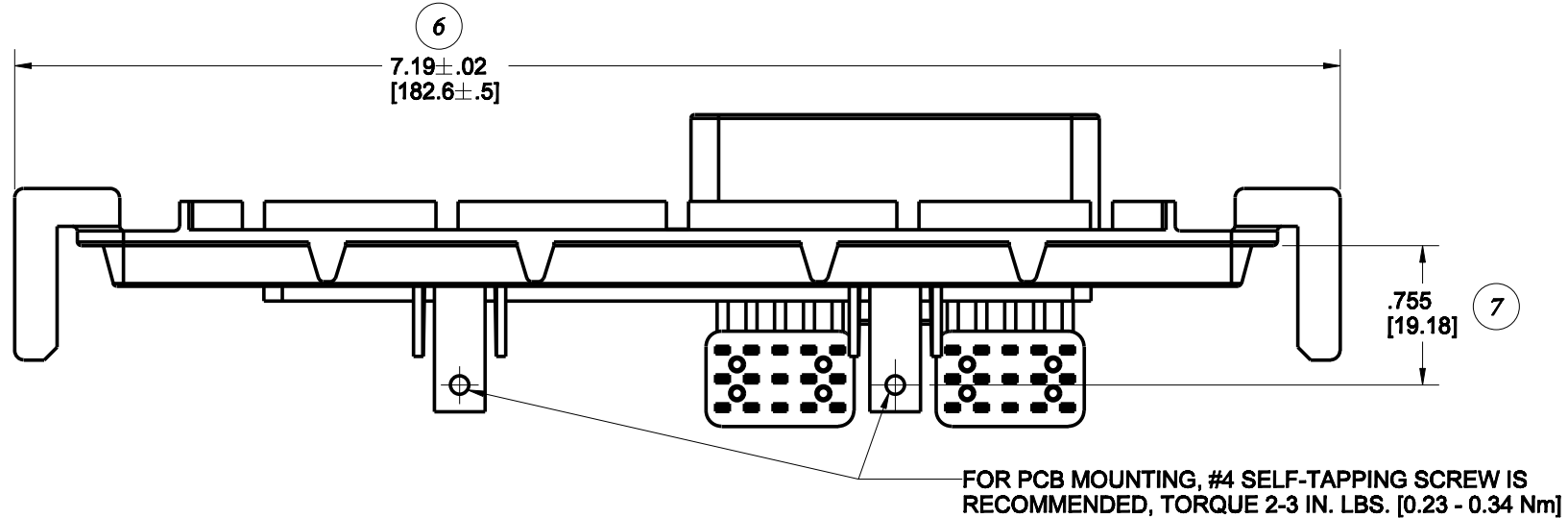
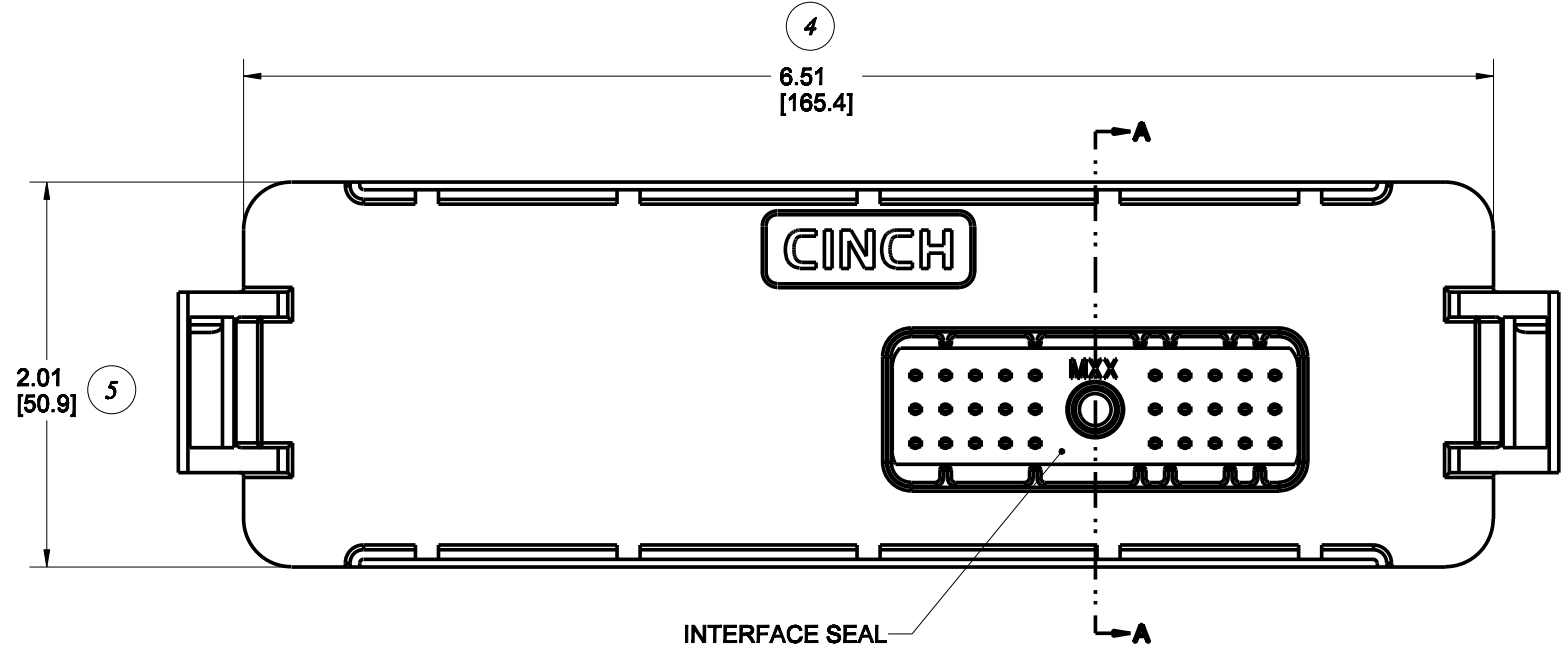
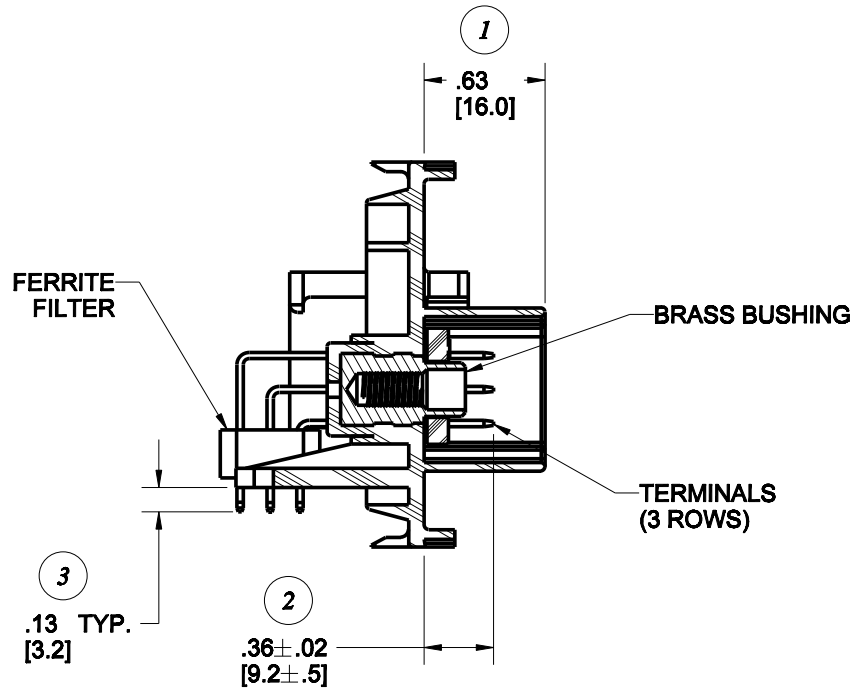
5

4

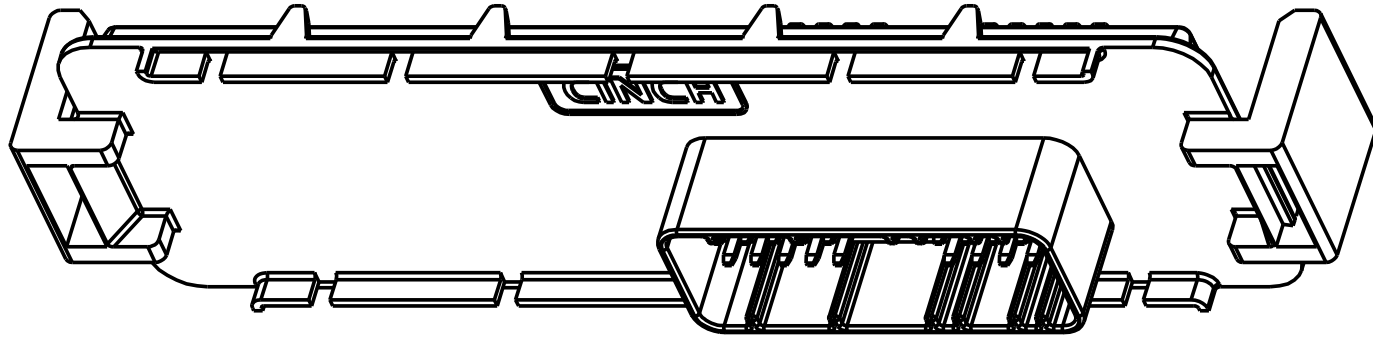
3

2

1



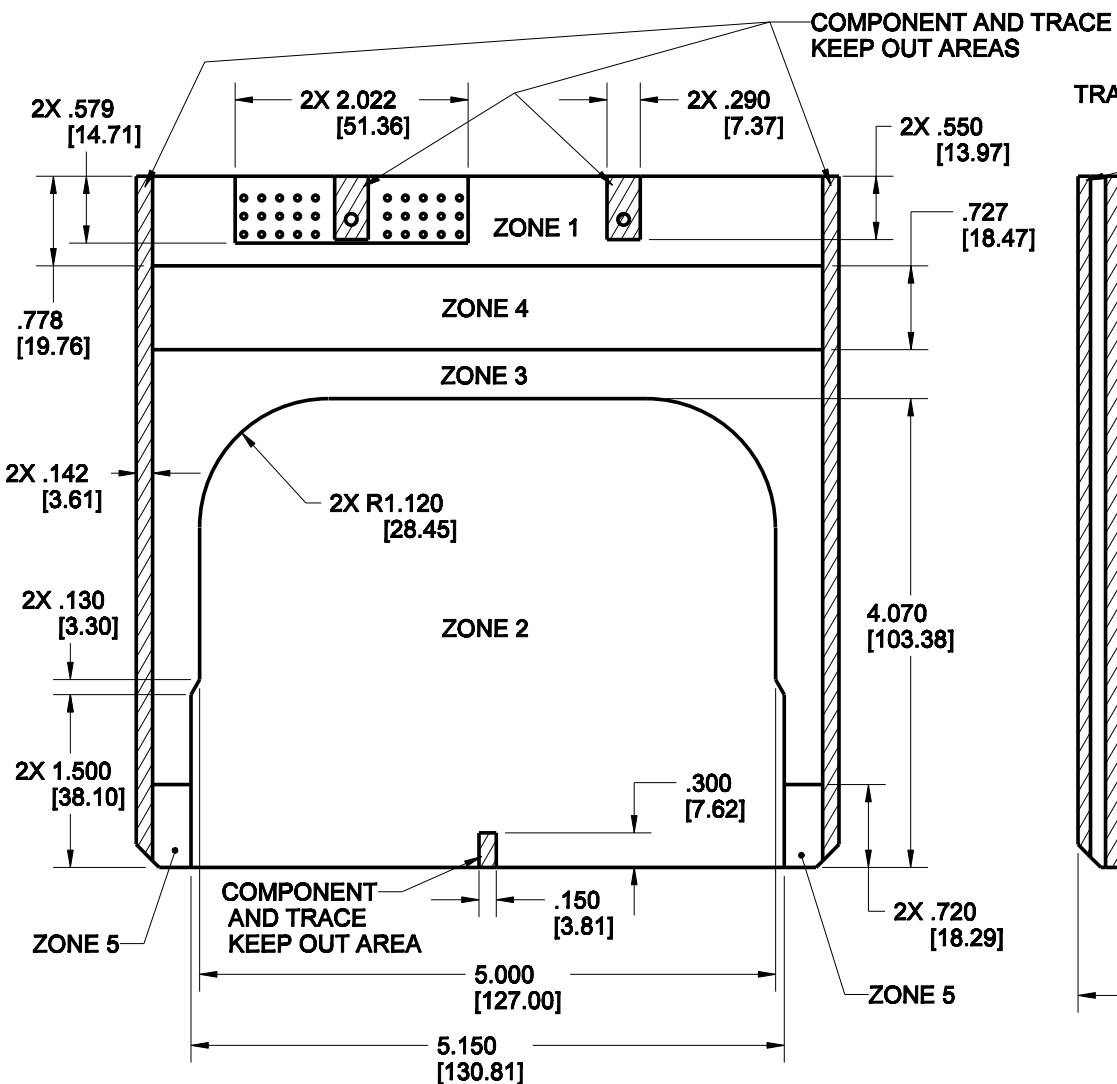
CINCH P/N: 581 01 30 051 SHOWN
(HEADER WITH FILTERS)



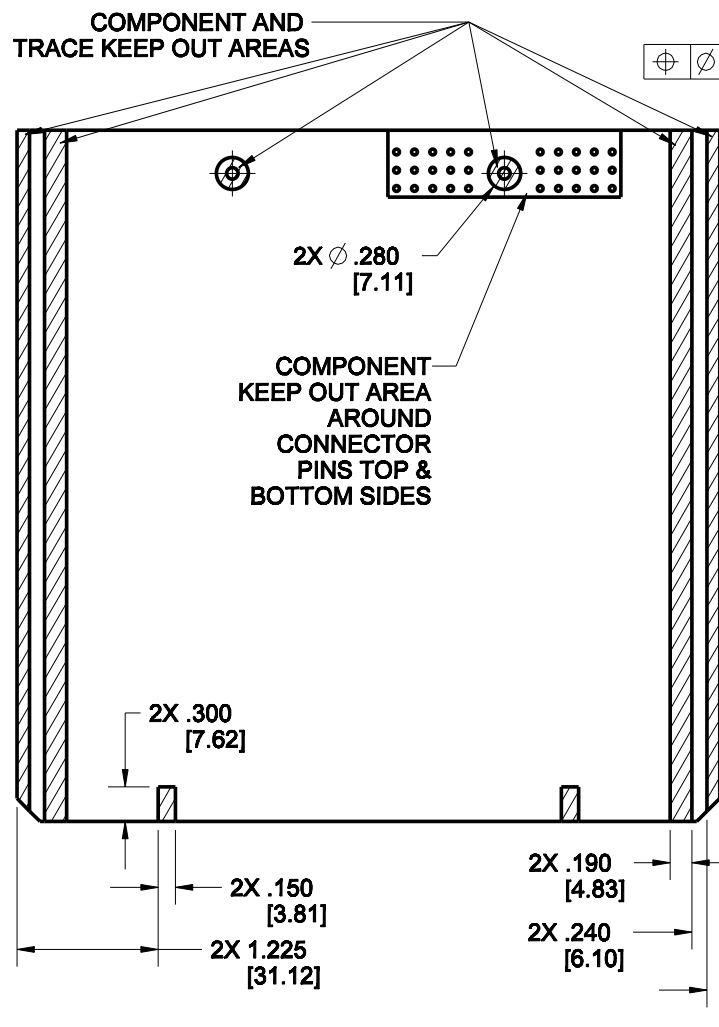
UNITS ENGLISH		Cinch		1700 FINLEY RD LOMBARD, IL 60148	
DO NOT SCALE DRAWING		TITLE 30-WAY HEADERS LE MODICE			
UNLESS OTHERWISE SPECIFIED: ALL DIMENSIONS ARE IN INCHES		PRO/E DRAWING			
FILLET/RADI .02 MAX	TOLERANCES X ± .1 .XX ± .01 .XXX ± .005 ANGULAR ± .5	CAD FILE NUMBER 5810130045	DRAWING NUMBER 581 01 30 045S		REV C
THIS DOCUMENT IS THE PROPERTY OF CINCH. NEITHER THIS DOCUMENT NOR ANY OF THE INFORMATION CONTAINED IN IT MAY BE DUPLICATED OR DISCLOSED WITHOUT PRIOR WRITTEN CONSENT OF CINCH.		CAGE IDENT NO. 71785	SIZE B	SCALE 1:1	SHEET 2 OF 6

PCB LAY-OUT WITHOUT HEAT SINKS

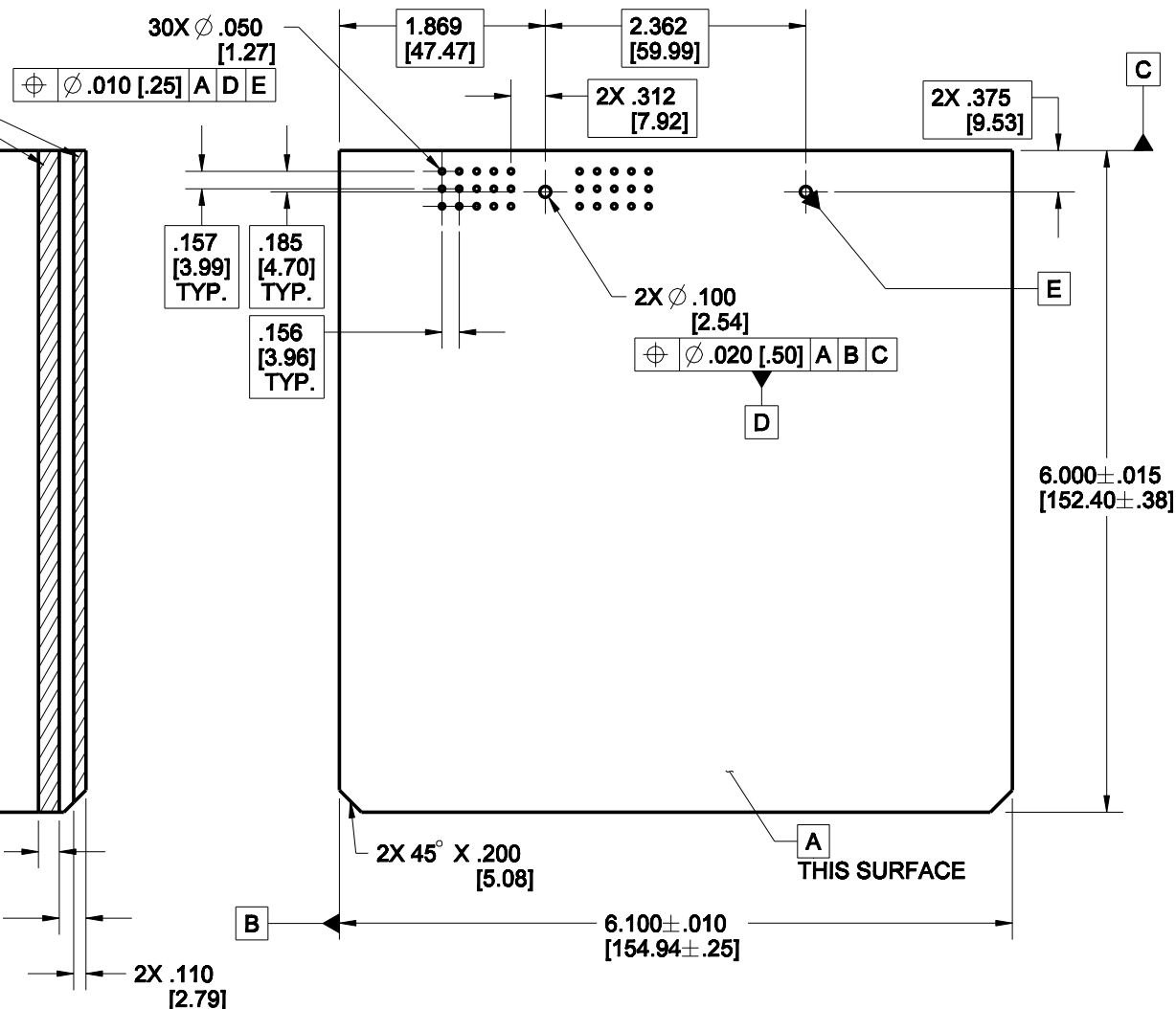
PCB TOP SIDE GENERAL ZONING & KEEP OUT AREAS



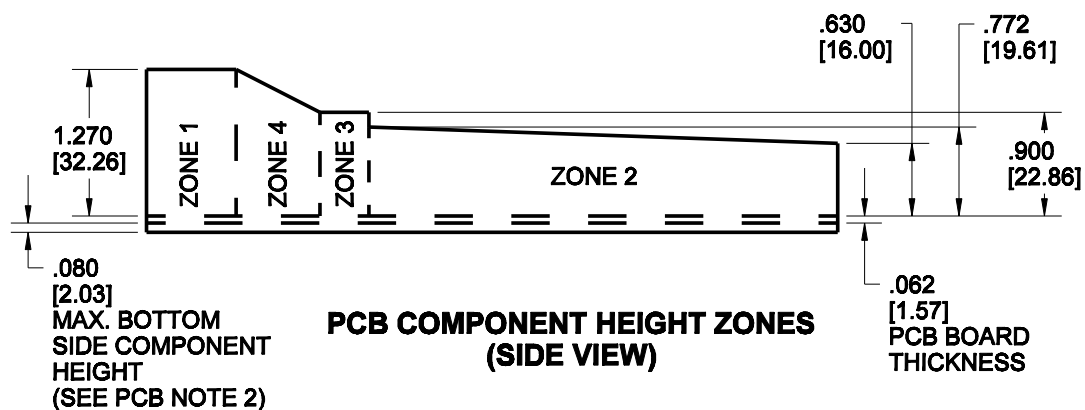
PCB BOTTOM SIDE GENERAL ZONING & KEEP OUT AREAS



PCB OVERALL DIMENSIONS AND HOLE LOCATIONS



PCB COMPONENT HEIGHT ZONES (SIDE VIEW)



PCB COMPONENTS HEIGHT LIMIT

	ZONE 1	ZONE 2	ZONE 3	ZONE 4	ZONE 5
MAX. HEIGHT FOR COMPONENTS (ABOVE PCB)	1.270"	SEE PCB NOTE 3	.900"	SEE PCB NOTE 3	.420"

PCB NOTES:

- ON BOTTOM SIDE OF THE PCB, COMPONENTS OR TRACES MUST BE MIN. .100" AWAY FROM THE EDGE OF THE PCB.
- THE BOTTOM SIDE OF THE PCB SHOULD NOT HAVE COMPONENTS OR LEADS THAT EXTEND HIGHER THAN .080" (SEE PG. 6 SIDE VIEW).
- AREA HAS VARIABLE HEIGHT. SEE PCB COMPONENT HEIGHT ZONES VIEW FOR DETAILS.

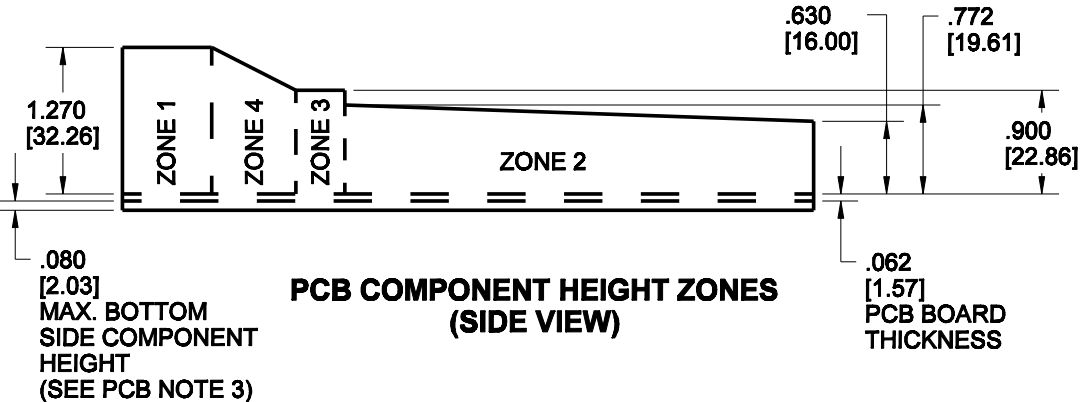
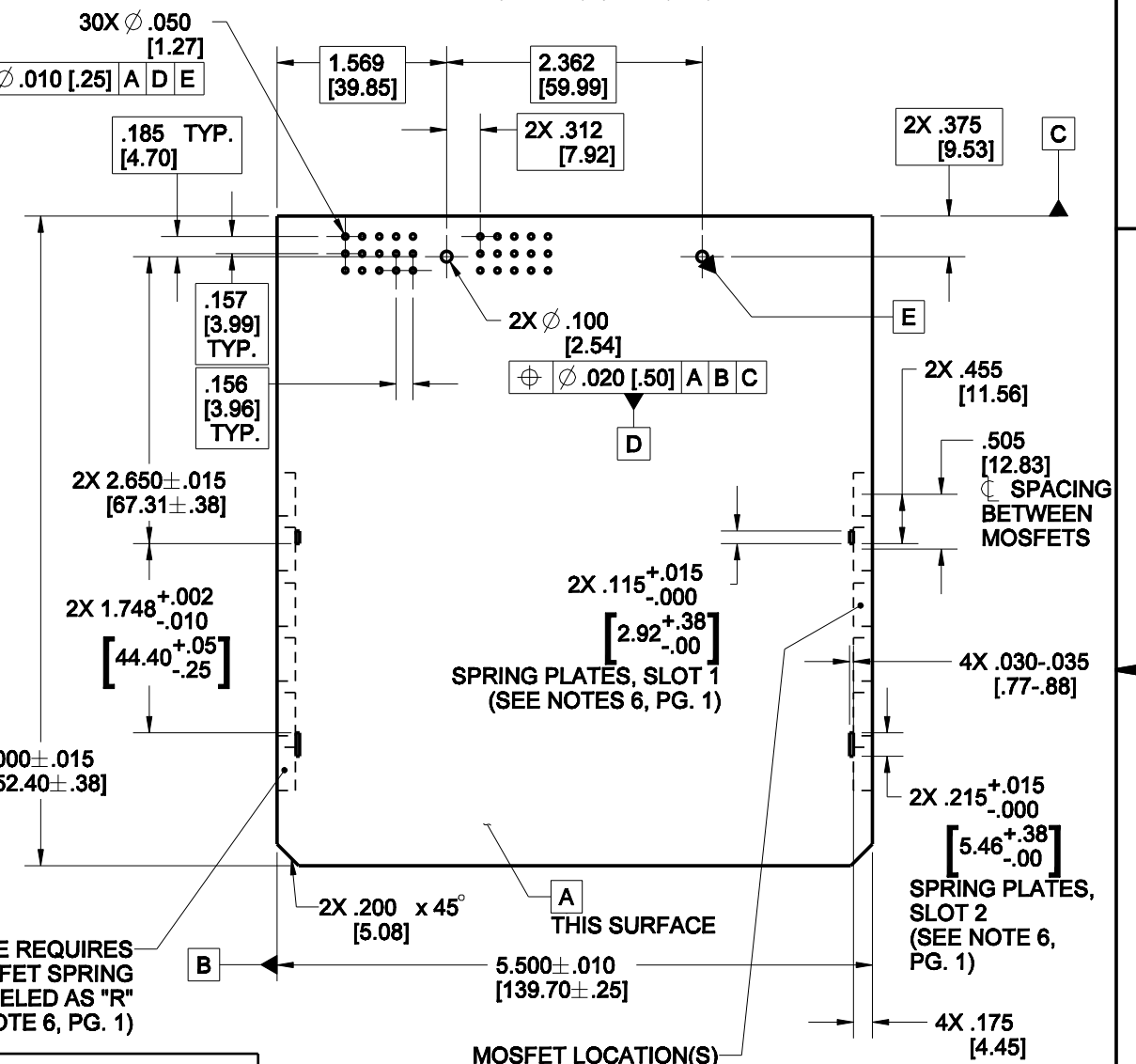
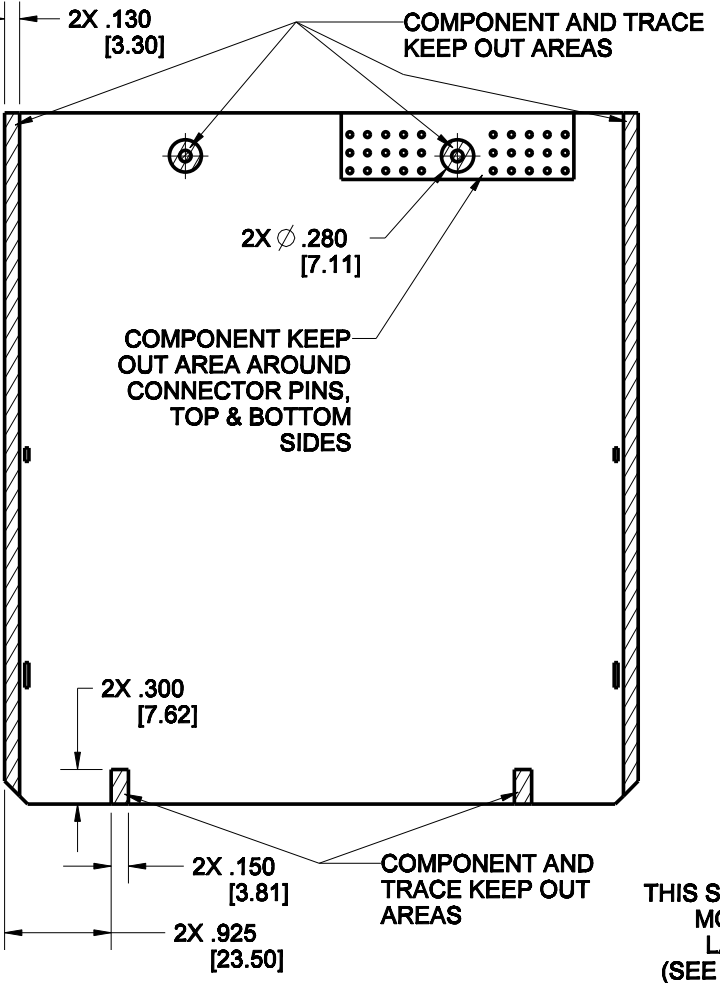
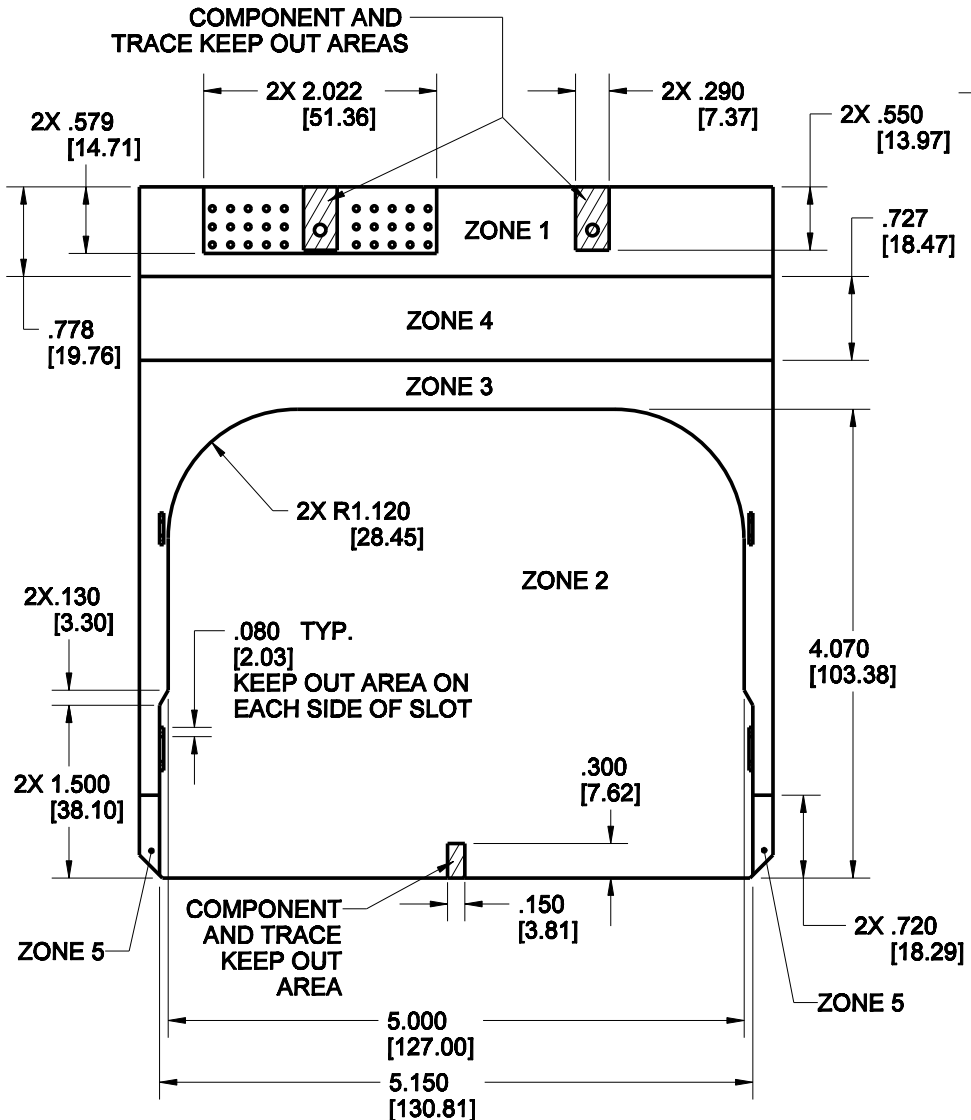
UNITS	ENGLISH		Cinch		1700 FINLEY RD LOMBARD, IL. 60148
DO NOT SCALE DRAWING			TITLE		
UNLESS OTHERWISE SPECIFIED: ALL DIMENSIONS ARE IN INCHES			30-WAY HEADERS LE MODICE		
FILLET/RADI .02 MAX			TOLERANCES X ± .1 .XX ± .01 .00X ± .005 ANGULAR ± .5		
TOLERANCES AND LIMITS APPLY OVER ADDITIVE FINISH			PRO/E DRAWING		
THIS DOCUMENT IS THE PROPERTY OF CINCH. NEITHER THIS DOCUMENT NOR ANY OF THE INFORMATION CONTAINED IN IT MAY BE DUPLICATED OR DISCLOSED WITHOUT PRIOR WRITTEN CONSENT OF CINCH.		CAD FILE NUMBER	DRAWING NUMBER	REV	
		5810130045	581 01 30 045S	C	
		CAGE IDENT NO.	SCALE	SHEET 3 OF 6	
		71785	B 3:5		

PCB LAY-OUT WITH TWO HEAT SINKS

PCB TOP SIDE GENERAL ZONING & KEEP OUT AREAS

PCB BOTTOM SIDE GENERAL ZONING & KEEP OUT AREAS

PCB OVERALL DIMENSIONS AND HOLE LOCATIONS



PCB COMPONENTS HEIGHT LIMIT

	ZONE 1	ZONE 2	ZONE 3	ZONE 4	ZONE 5
MAX. HEIGHT FOR COMPONENTS (ABOVE PCB)	1.270"	SEE PCB NOTE 4	.900"	SEE PCB NOTE 4	.420"

- PCB NOTES:**
- IF MOSFET SPRINGS ARE USED, ZONE 3 SHOULD CONTAIN ONLY MOSFETS AND TRACES BETWEEN THE SPRINGS AND EDGE OF THE BOARD.
 - ON BOTTOM SIDE OF THE PCB, COMPONENTS OR TRACES MUST BE MIN. .100" AWAY FROM THE EDGE OF THE PCB.
 - THE BOTTOM SIDE OF THE PCB SHOULD NOT HAVE COMPONENTS OR LEADS THAT EXTEND HIGHER THAN .080" (SEE PG. 6 SIDE VIEW).
 - AREA HAS VARIABLE HEIGHT. SEE PCB COMPONENT HEIGHT ZONES VIEW FOR DETAILS.

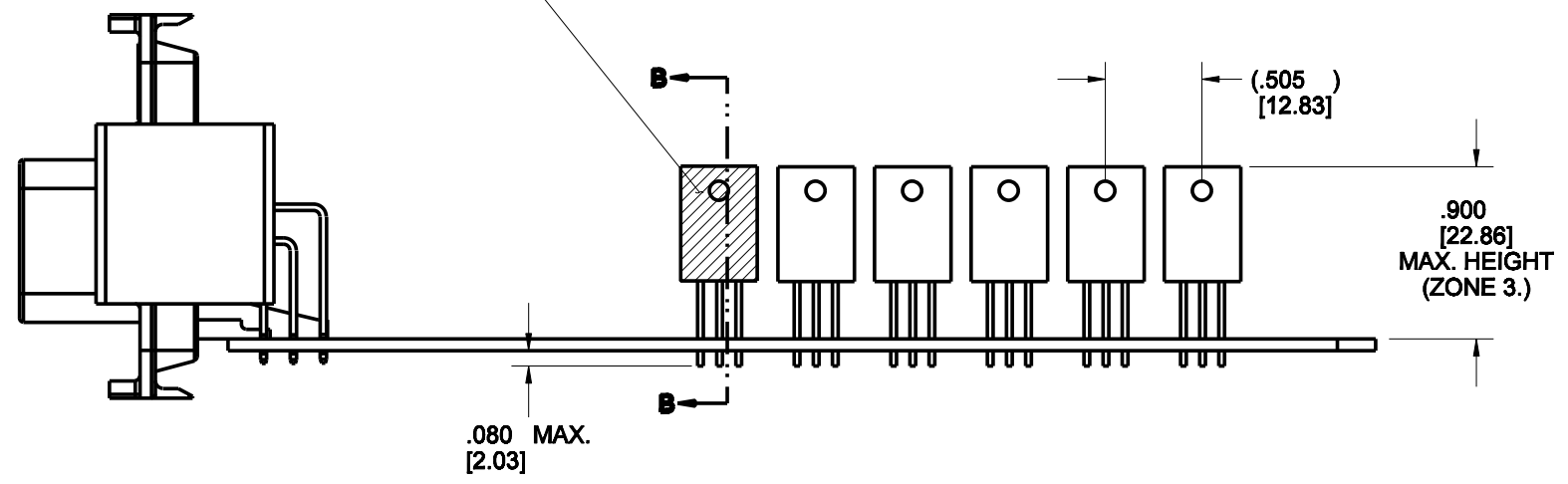
THIS SIDE REQUIRES MOSFET SPRING LABELED AS "R" (SEE NOTE 6, PG. 1)

MOSFET LOCATION(S) MAX. 6 TO-220 STYLE MOSFETS PER SIDE THIS SIDE REQUIRES MOSFET SPRING LABELED AS "L" (SEE NOTE 6, PG. 1)

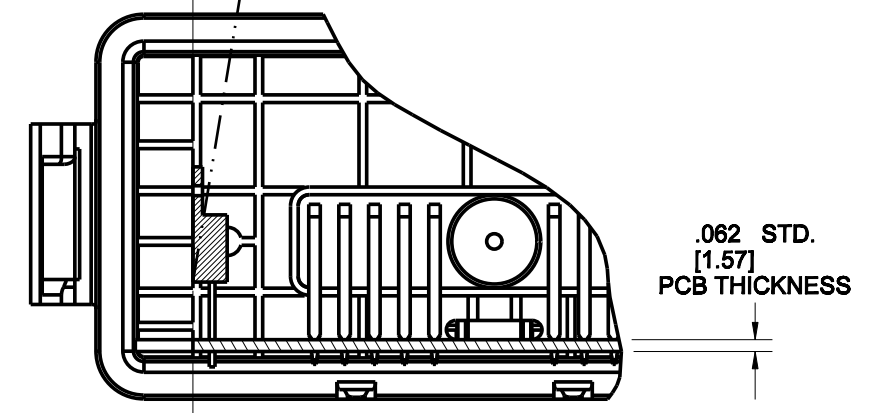
UNITS	ENGLISH		Cinch 1700 FINLEY RD LOMBARD, IL 60148	
DO NOT SCALE DRAWING				
UNLESS OTHERWISE SPECIFIED: ALL DIMENSIONS ARE IN INCHES			TITLE	
FILLET/RADIUS .02 MAX			30-WAY HEADERS LE MODICE	
TOLERANCES AND LIMITS APPLY OVER ADDITIVE FINISH			PRO/E DRAWING	
THIS DOCUMENT IS THE PROPERTY OF CINCH. NEITHER THIS DOCUMENT NOR ANY OF THE INFORMATION CONTAINED IN IT MAY BE DUPLICATED OR DISCLOSED WITHOUT PRIOR WRITTEN CONSENT OF CINCH.			CAD FILE NUMBER	DRAWING NUMBER
			5810130045	581 01 30 045S
			CAGE IDENT NO.	REV
			71785	C
			SCALE	
			3:5	
			SHEET 4 OF 6	

APPLY THIN BEAD OF THERMALLY CONDUCTIVE ADHESIVE PASTE TO ENTIRE SURFACE OF EVERY MOSFET (SEE NOTE 5.)

FOR EASE OF ASSEMBLY IT IS RECOMMENDED THAT MOSFET(S) BE TILTED UP TO 10° IN POSITIVE DIRECTION (SEE DOTTED LINE)



**SIDE VIEW
REQUIRED TO-220 PACKAGE PROFILE**



MOSFET MUST LIE IN THE SAME PLANE WITH EDGE OF PCB (AS SHOWN)

SECTION B-B

UNITS ENGLISH	Cinch		1700 FINLEY RD LOMBARD, IL 60148
DO NOT SCALE DRAWING	TITLE 30-WAY HEADERS LE MODICE		
UNLESS OTHERWISE SPECIFIED: ALL DIMENSIONS ARE IN INCHES	PRO/E DRAWING		
FILLET/RADI .02 MAX	TOLERANCES X ± .1 .XX ± .01 .XXX ± .005 ANGULAR ± .5	CAD FILE NUMBER 5810130045	DRAWING NUMBER 581 01 30 045S
TOLERANCES AND LIMITS APPLY OVER ADDITIVE FINISH	THIS DOCUMENT IS THE PROPERTY OF CINCH. NEITHER THIS DOCUMENT NOR ANY OF THE INFORMATION CONTAINED IN IT MAY BE DUPLICATED OR DISCLOSED WITHOUT PRIOR WRITTEN CONSENT OF CINCH.	CAGE IDENT NO. 71785	REV C
	SIZE B	SCALE 1:1	SHEET 6 OF 6

Mouser Electronics

Authorized Distributor

Click to View Pricing, Inventory, Delivery & Lifecycle Information:

[Cinch Connectivity Solutions:](#)

[581-01-30-051](#) [581-01-30-045](#)